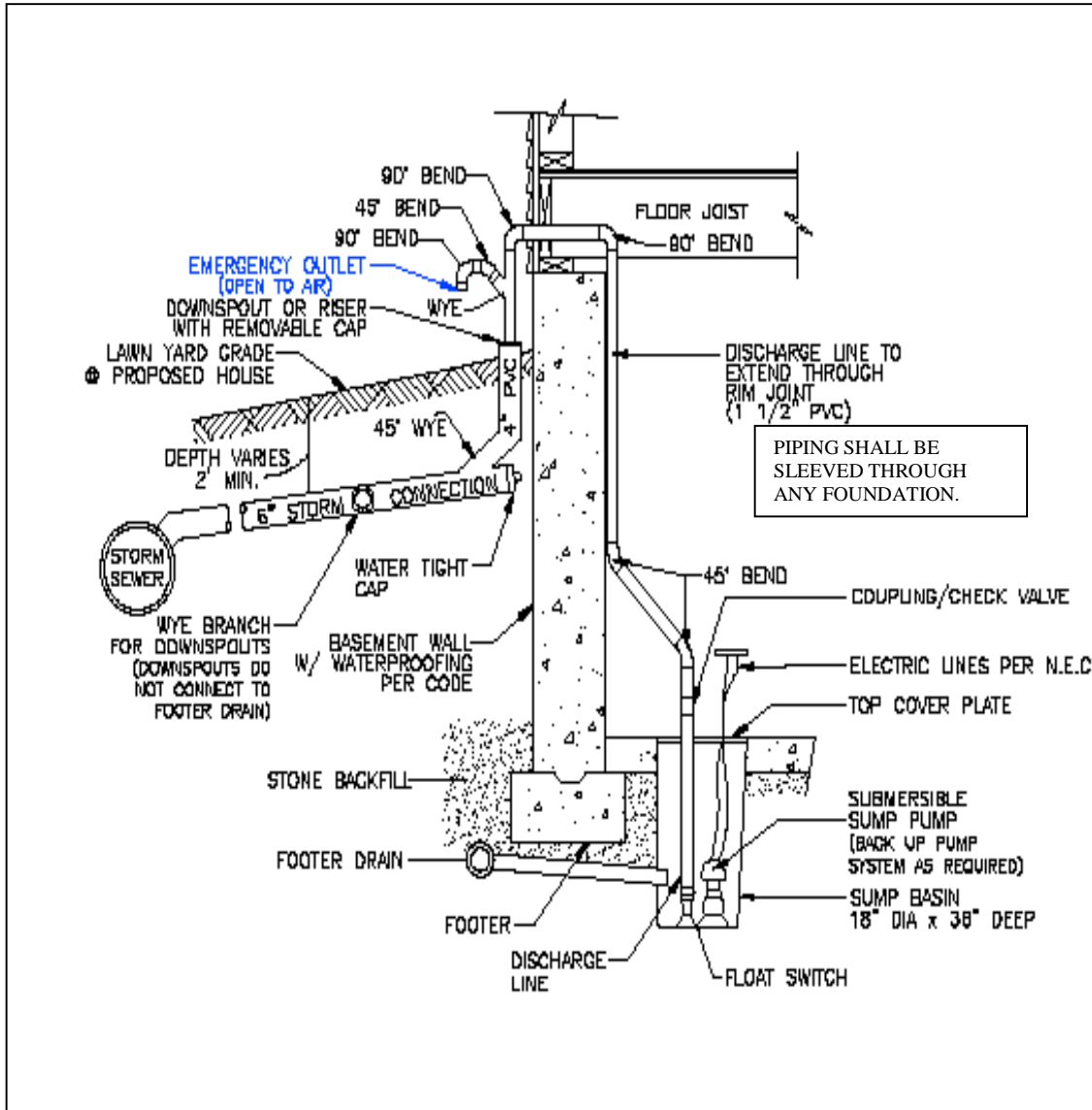




## FOUNDATION DRAIN PUMP W/FREE OUTLET TO OUTSIDE



Foundation Drain Outlet Pipe modified to provide an emergency free outlet. A free outlet allows the foundation pump to operate and discharge water to the outside yard in instances when the sewers are full.

SUMP PUMP EMERGENCY RELIEF  
Horizontal Underground Detail

